



# MOTOROLA

## MC1466L MC1566L

### Specifications and Applications Information

#### MONOLITHIC VOLTAGE AND CURRENT REGULATOR

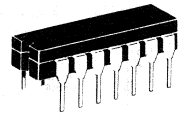
This unique "floating" regulator can deliver hundreds of volts — limited only by the breakdown voltage of the external series pass transistor. Output voltage and output current are adjustable. The MC1466/MC1566 integrated circuit voltage and current regulator is designed to give "laboratory" power-supply performance.

- Voltage/Current Regulation with Automatic Crossover
- Excellent Line Voltage Regulation, 0.02% + 1.0 mV
- Excellent Load Voltage Regulation, 0.01% + 1.0 mV
- Excellent Current Regulation, 0.1% + 1.0 mA
- Short-Circuit Protection
- Output Voltage Adjustable to Zero Volts
- Internal Reference Voltage
- Adjustable Internal Current Source

#### PRECISION WIDE-RANGE VOLTAGE and CURRENT REGULATOR

SILICON MONOLITHIC INTEGRATED CIRCUIT

CERAMIC PACKAGE  
CASE 632-02  
MO-001AA



#### ORDERING INFORMATION

| Device  | Temperature Range | Package     |
|---------|-------------------|-------------|
| MC1466L | 0°C to +70° C     | Ceramic DIP |
| MC1566L | -55°C to +125°C   | Ceramic DIP |

#### TYPICAL APPLICATIONS

FIGURE 1 — 0-TO-15 VDC, 10-AMPERES REGULATOR

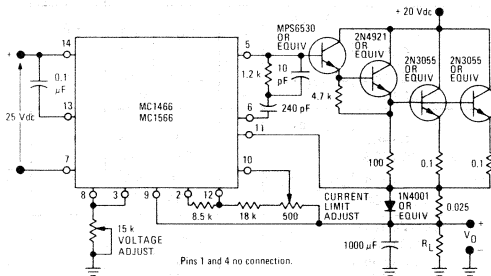


FIGURE 2 — 0-TO-40 VDC, 0.5-AMPERE REGULATOR

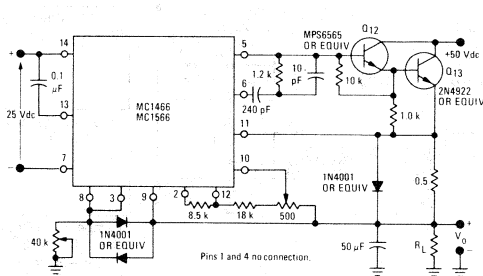


FIGURE 3 — 0-TO-250 VDC, 0.1-AMPERE REGULATOR

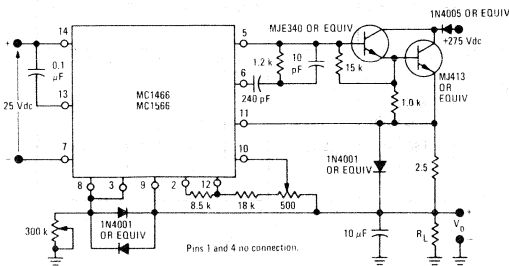
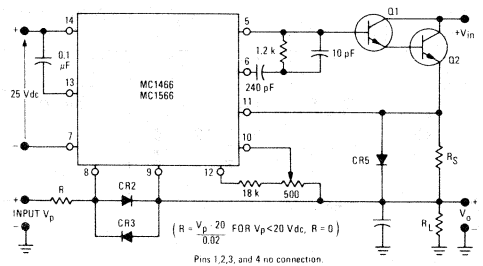


FIGURE 4 — REMOTE PROGRAMMING



# MC1466L, MC1566L

MAXIMUM RATINGS ( $T_A = +25^\circ$  unless otherwise noted)

| Rating                                                                           | Symbol                   | Value                   | Unit                       |
|----------------------------------------------------------------------------------|--------------------------|-------------------------|----------------------------|
| Auxiliary Voltage                                                                | $V_{aux}$                | 30<br>35                | Vdc                        |
| Power Dissipation (Package Limitation)<br>Derate above $T_A = +50^\circ\text{C}$ | $P_D$<br>$1/\theta_{JA}$ | 750<br>6.0              | mW<br>mW/ $^\circ\text{C}$ |
| Operating Temperature Range                                                      | $T_A$                    | 0 to +70<br>-55 to +125 | $^\circ\text{C}$           |
| Storage Temperature Range                                                        | $T_{stg}$                | -65 to +150             | $^\circ\text{C}$           |

ELECTRICAL CHARACTERISTICS ( $T_A = +25^\circ\text{C}$ ,  $V_{aux} = +25$  Vdc unless otherwise noted)

| Characteristic Definition | Characteristic                                                                                                                                                         | Symbol                   | Min          | Typ                    | Max          | Units           |
|---------------------------|------------------------------------------------------------------------------------------------------------------------------------------------------------------------|--------------------------|--------------|------------------------|--------------|-----------------|
|                           | Auxiliary Voltage (See Notes 1 & 2)<br>(Voltage from pin 14 to pin 7)                                                                                                  | $V_{aux}$                | .21<br>20    | —<br>—                 | 30<br>35     | Vdc             |
|                           | Auxiliary Current                                                                                                                                                      | $I_{aux}$                | —            | 9.0<br>7.0             | 12<br>10     | mAdc            |
|                           | Internal Reference Voltage<br>(Voltage from pin 12 to pin 7)                                                                                                           | $V_{IR}$                 | 17.3<br>17.5 | 18.2<br>18.2           | 19.7<br>19   | Vdc             |
|                           | Reference Current (See Note 3)                                                                                                                                         | $I_{ref}$                | 0.8<br>0.9   | 1.0<br>1.0             | 1.2<br>1.1   | mAdc            |
|                           | Input Current-Pin 8                                                                                                                                                    | $I_g$                    | —            | 6.0<br>3.0             | 12<br>8.0    | $\mu\text{Adc}$ |
|                           | Power Dissipation                                                                                                                                                      | $P_D$                    | —            | —                      | 360<br>300   | mW              |
|                           | Input Offset Voltage, Voltage Control<br>Amplifier (See Note 4)                                                                                                        | $V_{ioV}$                | 0<br>3.0     | 15<br>15               | 40<br>35     | mVdc            |
|                           | Load Voltage Regulation<br>(See Note 5)                                                                                                                                | $\Delta V_{ioV}$         | —            | 1.0<br>0.7             | 3.0<br>1.0   | mV              |
|                           |                                                                                                                                                                        | $\Delta V_{ref}/V_{ref}$ | —            | 0.015<br>0.004         | 0.03<br>0.01 | %               |
|                           | Line Voltage Regulation<br>(See Note 6)                                                                                                                                | $\Delta V_{ioV}$         | —            | 1.0<br>0.7             | 3.0<br>2.0   | mV              |
|                           |                                                                                                                                                                        | $\Delta V_{ref}/V_{ref}$ | —            | 0.015<br>0.004         | 0.03<br>0.02 | %               |
|                           | Temperature Coefficient of Output Voltage<br>( $T_A = 0$ to $+75^\circ\text{C}$ )<br>( $T_A = -55$ to $+25^\circ\text{C}$ )<br>( $T_A = +25$ to $+125^\circ\text{C}$ ) | $TCV_O$                  | —            | 0.01<br>0.006<br>0.004 | —<br>—<br>—  | —<br>—<br>—     |
|                           | Input Offset Voltage, Current Control<br>Amplifier (See Note 4)<br>(Voltage from pin 10 to pin 11)                                                                     | $V_{ioI}$                | 0<br>3.0     | 15<br>15               | 40<br>35     | mVdc            |
|                           | Load Current Regulation<br>(See Note 7)                                                                                                                                | $\Delta I_L/I_L$         | —            | 0.2<br>0.1             | —<br>—       | %               |
|                           |                                                                                                                                                                        | $\Delta I_{ref}$         | —            | —                      | 1.0<br>1.0   | mAdc            |
|                           |                                                                                                                                                                        |                          |              |                        |              |                 |

\*Pins 1 and 4 no connection.

# MC1466L, MC1566L

**NOTE 1:**

The instantaneous input voltage,  $V_{aux}$ , must not exceed the maximum value of 30 volts for the MC1466 or 35 volts for the MC1566. The instantaneous value of  $V_{aux}$  must be greater than 20 volts for the MC1566 or 21 volts for the MC1466 for proper internal regulation.

**NOTE 2:**

The auxiliary supply voltage  $V_{aux}$ , must "float" and be electrically isolated from the unregulated high voltage supply,  $V_{in}$ .

**NOTE 3:**

Reference current may be set to any value of current less than 1.2 mA<sub>dc</sub> by applying the relationship:

$$I_{ref} \text{ (mA)} = \frac{9.55}{R_1 \text{ (k}\Omega\text{)}}$$

**NOTE 4:**

A built-in offset voltage (15 mV<sub>dc</sub> nominal) is provided so that the power supply output voltage or current may be adjusted to zero.

**NOTE 5:**

Load Voltage Regulation is a function of two additive components,  $\Delta V_{ioV}$  and  $\Delta V_{ref}$ , where  $\Delta V_{ioV}$  is the change in input offset voltage (measured between pins 8 and 9) and  $\Delta V_{ref}$  is the change in voltage across R2 (measured between pin 8 and ground). Each component may be measured separately or the sum may be measured across the load. The measurement procedure for the test circuit shown is:

- With S1 open ( $I_L = 0$ ) measure the value of  $V_{ioV(1)}$  and  $V_{ref(1)}$ .
- Close S1, adjust R4 so that  $I_L = 500 \mu\text{A}$  and note  $V_{ioV(2)}$  and  $V_{ref(2)}$ .

Then  $\Delta V_{ioV} = V_{ioV(1)} - V_{ioV(2)}$

% Reference Regulation =

$$\frac{[V_{ref(1)} - V_{ref(2)}]}{V_{ref(1)}} (100\%) = \frac{\Delta V_{ref}}{V_{ref}} (100\%)$$

Load Voltage Regulation =

$$\frac{\Delta V_{ref}}{V_{ref}} (100\%) + \Delta V_{ioV}$$

**NOTE 6:**

Line Voltage Regulation is a function of the same two additive components as Load Voltage Regulation,  $\Delta V_{ioV}$  and  $\Delta V_{ref}$  (see note 5). The measurement procedure is:

- Set the auxiliary voltage,  $V_{aux}$ , to 22 volts for the MC1566 or the MC1466. Read the value of  $V_{ioV(1)}$  and  $V_{ref(1)}$ .
- Change the  $V_{aux}$  to 28 volts for the MC1566 or the MC1466 and note the value of  $V_{ioV(2)}$  and  $V_{ref(2)}$ . Then compute Line Voltage Regulation:

$$\Delta V_{ioV} = \Delta V_{ioV(1)} - V_{ioV(2)}$$

% Reference Regulation =

$$\frac{[V_{ref(1)} - V_{ref(2)}]}{V_{ref(1)}} (100\%) = \frac{\Delta V_{ref}}{V_{ref}} (100\%)$$

Line Voltage Regulation =

$$\frac{\Delta V_{ref}}{V_{ref}} (100\%) + \Delta V_{ioV}$$

**NOTE 7:**

Load Current Regulation is measured by the following procedure:

- With S2 open, adjust R3 for an initial load current,  $I_L(1)$ , such that  $V_O$  is 8.0 V<sub>dc</sub>.
- With S2 closed, adjust R<sub>T</sub> for  $V_O = 1.0$  V<sub>dc</sub> and read  $I_L(2)$ . Then Load Current Regulation =

$$\frac{[I_L(2) - I_L(1)]}{I_L(1)} (100\%) + I_{ref}$$

where  $I_{ref}$  is 1.0 mA<sub>dc</sub>. Load Current Regulation is specified in this manner because  $I_{ref}$  passes through the load in a direction opposite that of load current and does not pass through the current sense resistor,  $R_S$ .

**FIGURE 5**

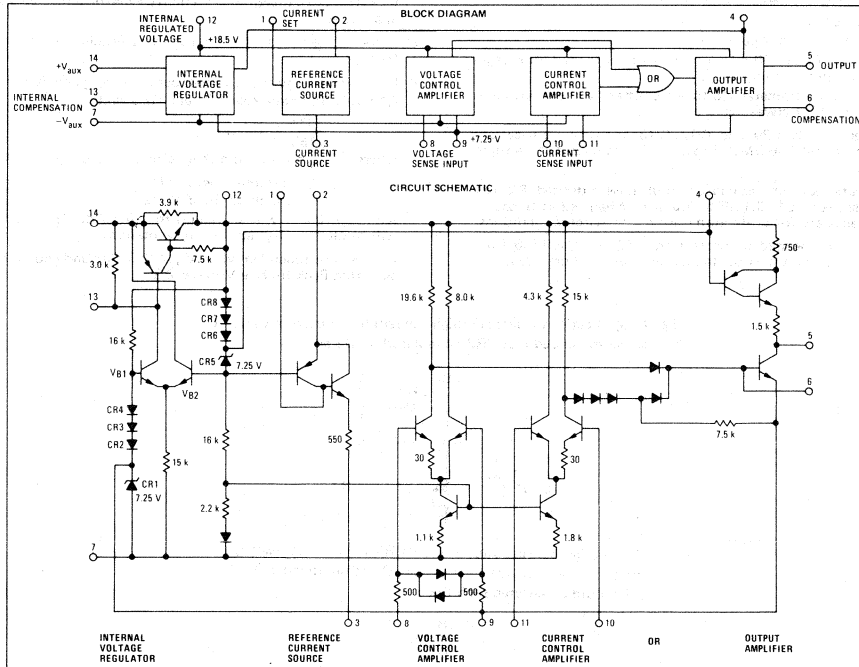
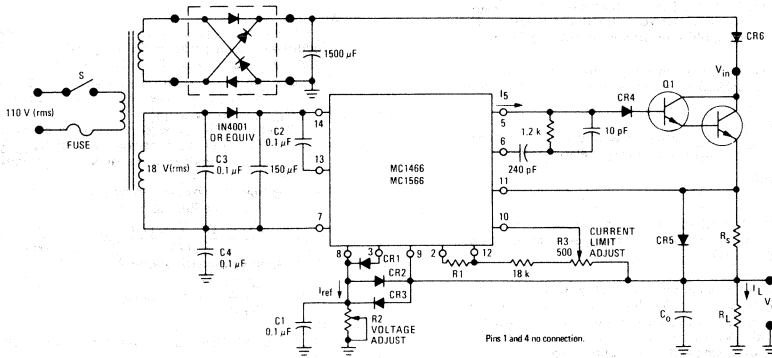


FIGURE 6 – TYPICAL CIRCUIT CONNECTION



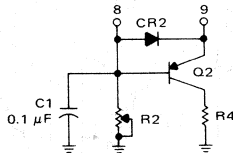
NORMAL DESIGN PROCEDURE AND DESIGN CONSIDERATIONS

1. Constant Voltage:  
 For constant voltage operation, output voltage  $V_O$  is given by:  

$$V_O = (I_{ref}) (R_2)$$
 where  $R_2$  is the resistance from pin 8 to ground and  $I_{ref}$  is the output current of pin 3.  
 The recommended value of  $I_{ref}$  is 1.0 mAdc. Resistor  $R_1$  sets the value of  $I_{ref}$ :  

$$I_{ref} = \frac{8.5}{R_1}$$
 where  $R_1$  is the resistance between pins 2 and 12.
2. Constant Current:  
 For constant current operation:  
 (a) Select  $R_5$  for a 250 mV drop at the maximum desired regulated output current,  $I_{max}$ .  
 (b) Adjust potentiometer  $R_3$  to set constant current output at desired value between zero and  $I_{max}$ .
3. If  $V_{in}$  is greater than 20 Vdc, CR2, CR3, and CR4 are necessary to protect the MC1466/MC1566 during short-circuit or transient conditions.
4. In applications where very low output noise is desired, R2 may be bypassed with C1 (0.1 µF to 2.0 µF). When R2 is bypassed, CR1 is necessary for protection during short-circuit conditions.
5. CR5 is recommended to protect the MC1466/MC1566 from simultaneous pass transistor failure and output short-circuit.
6. The RC network (10 pF, 240 pF, 1.2 kΩ) is used for compensation. The values shown are valid for all applications. However, the 10 pF capacitor may be omitted if  $f_r$  of Q1 and Q2 is greater than 0.5 MHz.
7. For remote sense applications, the positive voltage sense terminal (Pin 9) is connected to the positive load terminal through a separate sense lead; and the negative sense terminal (the ground side of R2) is connected to the negative load terminal through a separate sense lead.
8.  $C_0$  may be selected by using the relationship:  
 $C_0 = (100 \mu F) I_{L(max)}$ , where  $I_{L(max)}$  is the maximum load current in amperes.
9. C2 is necessary for the internal compensation of the MC1466/MC1566.
10. For optimum regulation, current out of Pin 5,  $I_5$  should not exceed 0.5 mAdc. Therefore select Q1 and Q2 such that:  

$$\frac{I_{max}}{\beta_1 \beta_2} \leq 0.5 \text{ mAdc}$$
 where:  $I_{max}$  = maximum short-circuit load current (mAdc)  
 $\beta_1$  = minimum beta of Q1  
 $\beta_2$  = minimum beta of Q2  
 Although Pin 5 will source up to 1.5 mAdc,  $I_5 > 0.5 \text{ mAdc}$  will result in a degradation in regulation.
11. CR6 is recommended when  $V_O > 150 \text{ Vdc}$  and should be rated such that Peak Inverse Voltage  $> V_O$ .
12. In applications where R2 might be rapidly reduced in value, it is recommended that CR3 be replaced by Q2 and R4.



This design consideration prevents R2 from being destroyed by excessive discharge current from  $C_0$ . Components Q2 and R4 should be selected such that:

$$R4 = \frac{R2}{10} \text{ and}$$

$$V(BR)CEO \text{ of } Q2 \geq V_O$$

OPERATION AND APPLICATIONS

This section describes the operation and design of the MC1566/MC1466 voltage and current regulator and also provides information on useful applications.

SUBJECT SEQUENCE

|                                                                                                                                                          |
|----------------------------------------------------------------------------------------------------------------------------------------------------------|
| <p>Theory of Operation<br/>                 Applications<br/>                 Transient Failures<br/>                 Voltage/Current-Mode Indicator</p> |
|----------------------------------------------------------------------------------------------------------------------------------------------------------|

THEORY OF OPERATION

The schematic of Figure 5 can be simplified by breaking it down into basic functions, beginning with a simplified version of the voltage reference, Figure 7. Zener diodes CR1 and CR5 with their associated forward biased diodes CR2 through CR4 and CR6 through CR8 form the stable reference needed to balance the differential amplifier. At balance ( $V_{B1} = V_{B2}$ ), the output voltage, ( $V_{12} - V_7$ ), is at a value that is twice the drop across either of the two diode strings:  $V_{12} - V_7 = 2(V_{CR1} + V_{CR2} + V_{CR3} + V_{CR4})$ . Other voltages, temperature compensated or otherwise, are also derived from these diode strings for use in other parts of the circuit.

The voltage controlled current source (Figure 8) is a PNP-NPN composite which, due to the high NPN beta,

yields a good working PNP from a lateral device working at a collector current of only a few microamperes. Its base voltage ( $V_{B2}$ ) is derived from a temperature compensated portion of the diode string and consequently the overall current is dependent on the value of emitter resistor R1. Temperature compensation of the base emitter junction of Q3 is not important because approximately 9 volts exists between  $V_{B2}$  and  $V_{12}$ , making the  $\Delta V_{BE}$ 's very small in percentage. Circuit reference voltage is derived from the product of  $I_R$  and  $R_R$ ; if  $I_R$  is set at 1 mA ( $R1 = 8.5 \text{ k}\Omega$ ), then  $R_R$  (in  $\text{k}\Omega$ ) =  $V_O$ . Other values of current may be used as long as the following restraints are kept in mind: 1) package dissipation will be increased by about 11 mW/mA and 2) bias current for the voltage control amplifier is  $3 \mu\text{A}$ , temperature dependent, and is extracted from the reference current. The reference current should

FIGURE 7 - REFERENCE VOLTAGE REGULATOR

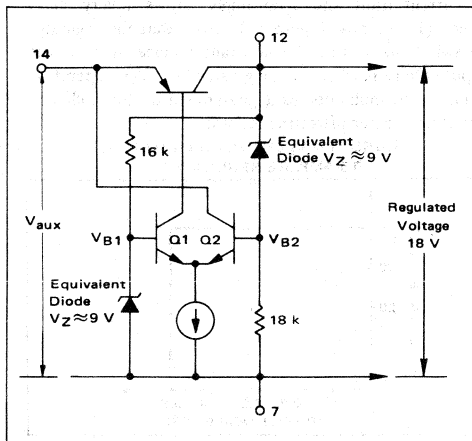
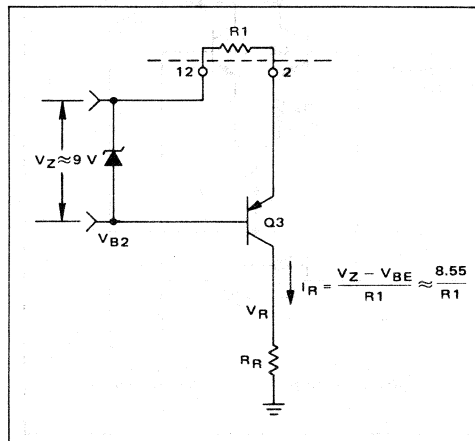


FIGURE 8 - VOLTAGE CONTROLLED CURRENT SOURCE



be at least two orders of magnitude above the largest expected bias current.

Loop amplification in the constant voltage mode is supplied by the voltage controlled amplifier (Figure 9), a standard high-gain differential amplifier. The inputs are diode-protected against differential overvoltages and an emitter degenerating resistor,  $R_{OS}$ , has been added to one of the transistors. For an emitter current in both Q5 and Q6 of 1/2 milliampere there will exist a preset offset voltage in this differential amplifier of 15 mV to insure that the output voltage will be zero when the reference voltage is zero. Without  $R_{OS}$ , the output voltage could be a few millivolts above zero due to the inherent offset. Since the load resistor is so large in this stage compared with the load (Q9) it will be more instructive to look at the gain on a transconductance basis rather than voltage gain. Transconductance of the differential stage is defined for small signals as:

$$g_m = \frac{1}{2r_e + R_E} \quad (1)$$

where

$$r_e \approx \frac{0.026}{I_E} \text{ and}$$

$R_E$  = added emitter degenerating resistance.

For  $I_E = 0.5 \text{ mA}$ ,

$$g_m = \frac{1}{104 + 30} = \frac{1}{134} = 7.5 \text{ mA/volt.} \quad (2)$$

FIGURE 9 – VOLTAGE CONTROL AMPLIFIER

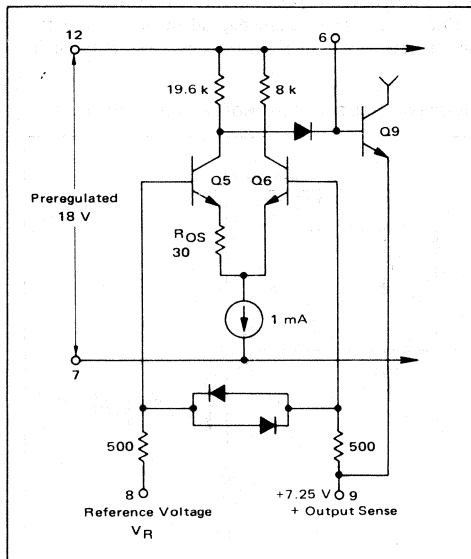
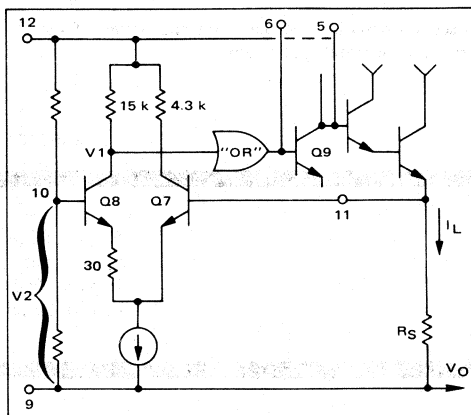


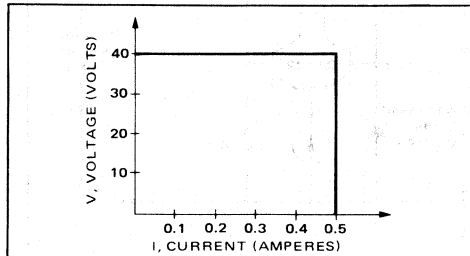
FIGURE 10 – CURRENT CONTROL CIRCUIT



This level is further boosted by the output stage such that in the constant voltage mode overall transconductance is about 300 mA/volt.

A second differential stage nearly identical to the first stage, serves as the current control amplifier (Figure 10). The gain of this stage insures a rapid crossover from the constant voltage to constant current modes and provides a convenient point to control the maximum deliverable load current. In use, a reference voltage derived from the preregulator and a voltage divider is applied to pin 10 while the output current is sampled across  $R_S$  by pin 11. When  $I_L R_S$  is 15 mV below the reference value, voltage  $V_1$  begins to rapidly rise, eventually gaining complete control of Q9 and limiting output current to a value of  $V_2/R_S$ . If  $V_2$  is derived from a variable source, short circuit current may be controlled over the complete output current capability of the regulator. Since the constant-voltage to constant-current change-over requires only a few millivolts the voltage regulation maintains its quality to the current limit and accordingly shows a very sharp "knee" (1% +1 mA, Figure 11). Note that the regulator can switch back into the constant voltage mode if the output voltage reaches a value greater than  $V_R$ . Operation through zero milliamperes is guaranteed by the inclusion of another emitter offsetting resistor.

FIGURE 11 –  $V_1$  CURVE FOR 0-TO-40 V, 0.5-AMPERE REGULATOR



Transistor Q9 and five diodes comprise the essential parts of the output stage (Figure 12). The diodes perform an "OR" function which allows only one mode of operation at a time - constant current or constant voltage. However, an additional stage (Q9) must be included to invert the logic and make it compatible with the driving requirements of series pass transistors as well as provide additional gain. A 1.5 mA collector current source sets the maximum deliverable output current and boosts the output impedance to that of the current source.

Note that the negative (substrate) side of the MC1566/MC1466 is 7.25 volts lower than the output voltage, and the reference regulator guarantees that the positive side is 11 volts above the output. Thus the IC remains at a voltage (relative to ground) solely dependent on the output, "floating" above and below  $V_O$ .  $V_{CE}$  across Q9 is only two or three  $V_{BE}$ 's depending on the number of transistors used in the series pass configuration.

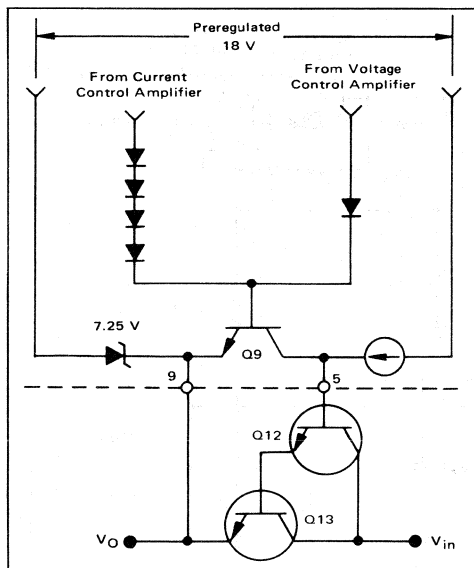
Performance characteristics of the regulator may be approximately calculated for a given circuit (Figure 2). Assuming that the two added transistors (Q12 and Q13) have minimum beta's of 20, then the overall regulator transconductance will be:

$$g_{mT} = (400) 300 \text{ mA/volt} = 120 \text{ A/volt.} \quad (3)$$

For a change in current of 500 mA the output voltage will drop only:

$$\Delta V = \frac{0.5}{120} = 4.2 \text{ mV.} \quad (4)$$

FIGURE 12 - MC1566 OUTPUT STAGE



The analysis thus far does not consider changes in  $V_R$  due to output current changes. If  $I_L$  increases by 500 mA the collector current of Q9 decreases by 1.25 mA, causing the collector current of Q5 to increase by 30  $\mu A$ . Accordingly,  $I_R$  will be decreased by  $\approx 0.30 \mu A$  which will drop the output by 0.03%. This figure may be improved considerably by either using high beta devices as the pass transistors, or by increasing  $I_R$ . Note again, however, that the maximum power rating of the package must be kept in mind. For example if  $I_R = 4 \text{ mA}$ , power dissipation is

$$P_D = 20 \text{ V} (8 \text{ mA}) + (11 \text{ V} \times 3 \text{ mA}) = 193 \text{ mW.} \quad (5)$$

This indicates that the circuit may be safely operated up to 118°C using 20 volts at the auxiliary supply voltage. If, however, the auxiliary supply voltage is 35 volts,

$$P_D = 35 \text{ V} (8 \text{ mA}) + 26 \text{ V} (3 \text{ mA}) = 358 \text{ mW.} \quad (6)$$

which dictates that the maximum operating temperature must be less than 91°C to keep package dissipation within specified limits.

Line voltage regulation is also a function of the voltage change between pins 8 and 9, and the change of  $V_{ref}$ . In this case, however, these voltages change due to changes in the internal regulator's voltages, which in turn are caused by changes in  $V_{aux}$ . Note that line voltage regulation is not a function of  $V_{in}$ . Note also that the instantaneous value of  $V_{aux}$  must always be between 20 and 35 volts.

Figure 6 shows six external diodes (CR<sub>1</sub> to CR<sub>6</sub>) added for protective purposes. CR<sub>1</sub> should be used if the output voltage is less than 20 volts and CR<sub>2</sub>, CR<sub>3</sub> are absent. For  $V_O$  higher than 20 volts, CR<sub>1</sub> should be discarded in favor of CR<sub>2</sub> and CR<sub>3</sub>. Diode CR<sub>4</sub> prevents IC failure if the series pass transistors develop collector-base shorts while the main power transistor suffers a simultaneous open emitter. If the possibility of such a transistor failure mode seems remote, CR<sub>4</sub> may be deleted. To prevent instantaneous differential and common-mode breakdown of the current sense amplifier, CR<sub>5</sub> must be placed across the current limit resistor  $R_S$ .

Load transients occasionally produce a damaging reversal of current flow from output to input  $V_O > 150$  volts (which will destroy the IC). Diode CR<sub>6</sub> prevents such reversal and renders the circuit immune from destruction for such conditions, e.g., adding a large output capacitor after the supply is turned "on". Diodes CR<sub>1</sub>, CR<sub>2</sub>, CR<sub>3</sub>, and CR<sub>5</sub> may be general purpose silicon units such as 1N4001 or equivalent whereas CR<sub>4</sub> and CR<sub>6</sub> should have a peak inverse voltage rating equal to  $V_{in}$  or greater.

#### APPLICATIONS

Figure 2 shows a typical 0-to-40 volts, 0.5-ampere regulator with better than 0.01% performance. The RC network between pins 5 and 6 and the capacitor between pins 13 and 14 provide frequency compensation for the MC1566/MC1466. The external pass transistors are used to boost load current, since the output current of the regulator is less than 2 mA.

Figure 1 is a 0-to-15 volts, 10-ampere regulator with the pass transistor configuration necessary to boost the load current to 10 amperes. Note that  $C_O$  has been increased to 1000  $\mu\text{F}$  following the general rule:

$$C_O = 100 \mu\text{F}/A I_L$$

The prime advantage of the MC1566/MC1466 is its use as a high voltage regulator, as shown in Figure 3. This 0-to-250 volts 0.1-ampere regulator is typical of high voltage applications, limited only by the breakdown and safe areas of the output pass transistors.

The primary limiting factor in high voltage series regulators is the pass transistor. Figure 13 shows a safe area curve for the MJ413. Looking at Figure 3, we see that if the output is shorted, the transistor will have a collector current of 100 mA, with a  $V_{CE}$  approximately equal to 260 volts. Thus this point falls on the dc line of the safe area curve, insuring that the transistor will not enter secondary breakdown.

In this respect (Safe Operating Area) the foldback circuit of Figure 14 is superior for handling high voltages and yet is short-circuit protected. This is due to the fact that load current is diminished as output voltage drops ( $V_{CE}$  increases as  $V_O$  drops) as seen in Figure 15. By careful design the load current at a short,  $I_{SC}$  can be made low enough such that the combined  $V_{CE}$  ( $V_{in}$ ) and  $I_{SC}$  still falls within the dc safe operating area of the transistor. For the illustrated design (Figure 14), an input voltage of 210 volts is com-

patible with a short-circuit current of 100 mA. Yet current foldback allows us to design for a maximum regulated load current of 500 mA. The pertinent design equations are:

$$\text{Let } R_2 \text{ (k}\Omega\text{)} = V_O$$

$$\alpha = \frac{0.25}{V_O} \left[ \frac{I_k}{I_{SC}} - 1 \right]$$

$$R_1 \text{ (k}\Omega\text{)} = \frac{\alpha}{1 - \alpha} V_O$$

$$R_{SC} = \frac{0.25}{(1 - \alpha) I_{SC}}$$

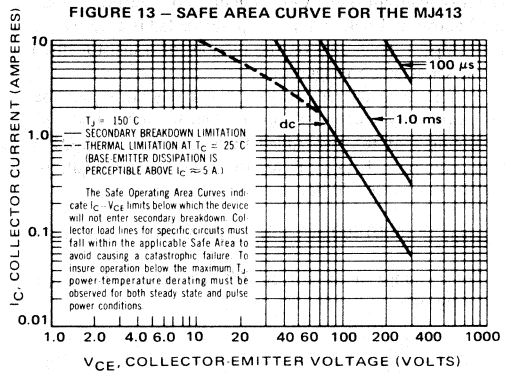
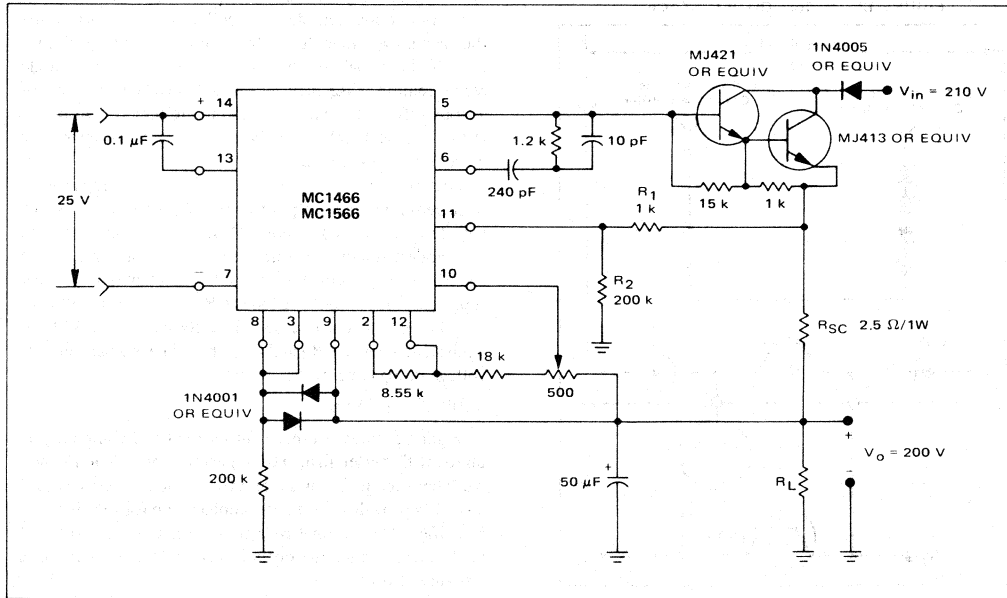


FIGURE 14 - A 200 V, 0.5-AMPERE REGULATOR WITH CURRENT FOLDBACK





The terms  $I_{SC}$  and  $I_k$  correspond to the short-circuit current and maximum available load current as shown in Figure 15.

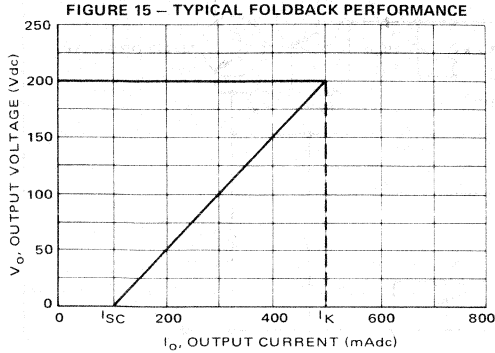


Figure 16 shows a remote sense application which should be used when high current or long wire lengths are used. This type of wiring is recommended for any application where the best possible regulation is desired. Since the sense lines draw only a small current, large voltage drops do not destroy the excellent regulation of the MC1566/MC1466.

**TRANSIENT FAILURES**

In industrial areas where electrical machinery is used

the normal ac line often contains bursts of voltage running from hundreds to thousands of volts in magnitude and only microseconds in duration. Under some conditions this energy is dissipated across the internal zener connected between pins 9 and 7. This transient condition may produce a total failure of the regulator device without any apparent explanation. This type of failure is identified by absence of the 7-volt zener (CR1) between pin 9 and pin 7. To prevent this failure mode the use of a shielded power transformer is recommended, as shown in Figure 6. In addition, it is recommended that C1, C3 and C4 be included to aid in transient repression. These capacitors should have good high frequency characteristics.

If the possibility of transients on the output exists, the addition of a resistor and zener diode between pins 9 and 7 as shown on Figure 17 should be added.

**VOLTAGE/CURRENT – MODE INDICATOR**

There may be times when it is desirable to know when the MC1566/MC1466 is in the constant current mode or constant voltage mode. A mode indicator can be easily added to provide this feature. Figure 18 shows how a PNP transistor has replaced a protection diode between pins 8 and 9 of Figure 2. When the MC1566/MC1466 goes from constant voltage mode to constant current mode,  $V_o$  will drop below  $V_g$  and the PNP transistor will turn on. The 1-mA current supplied by pin 8 will now be shunted to base of Q2 thereby turning on the indicator device I1.

**FIGURE 16 – REMOTE SENSE**

