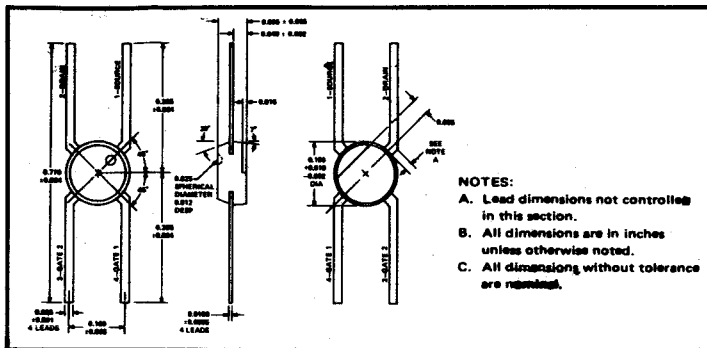
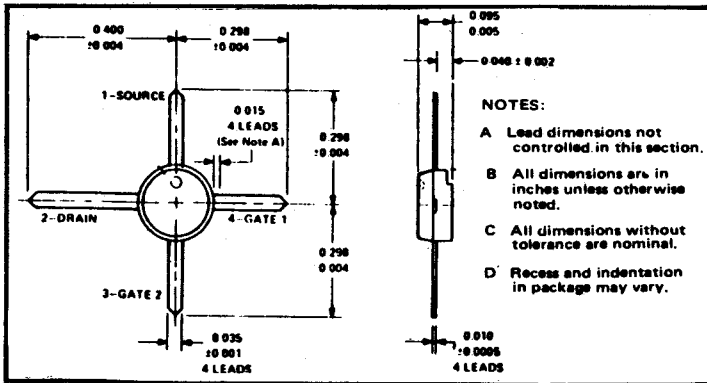


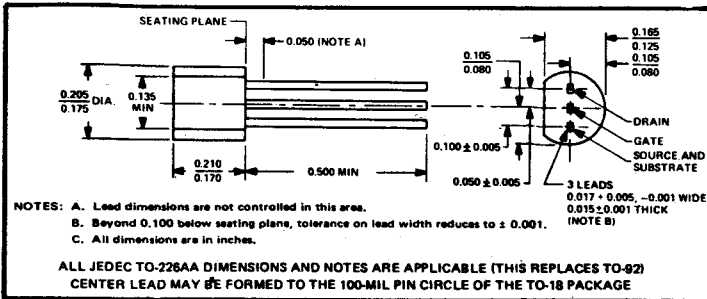
Case Outlines



H-Pack



X-Pack



TO226A

Dual Gate Mosfets for VHF/UHF (N-Channel Depletion)

Device Type	Case	V(BR)DS min. V	Vp max. V	Yfs mmho	Crss pF	Gps		NF		Notes
						min. @ MHz	dB	max. @ MHz	dB	
BF900	X	20	5	8 min.	0.025 typ	20 typ	200	4.5	200	VHF Amp/mixer
C2T204	H	25	4	10-22	0.03 max.	14 min.	450	5.0	450	VHF Amp
C2T205	H	25	4	10-22	0.03 max.	17-28	200	4.0 typ	200	VHF Mixer
C2T206	H	25	4	7-17	0.03 max.	25-35	45	4.0	45	IF Amp
C2T211	H	27	5.5	17-40	0.05 max.	24-35	200	3.5	200	VHF Amp
C2T212	H	27	4.0	17-40	0.05 max.	21-28	200	4.0 typ	200	VHF Mixer
C2T213	H	35	5.5	15-35	0.05 max.	27-35	45	4.0	45	IF Amp
BF905	X	20	5.0	6 min.	0.03 max.	12 min.	800	6.0	800	UHF Amp/mixer
C3T225	X	20	4.0	6-15	0.03 max.	10-22	900	7.0	900	UHF Amp
C3T225A	X	20	3.0	7.5-15	0.03 max.	14-22	900	5.5	900	UHF Amp

P-Channel Mosfets (Enhancement Mode)

Device Type	Package	BVDGO min. V	IGSS max. pA	VGS(th)		ID(on)		Yfs		Ciss max. pF	rds(on) typ Ω	Notes
				min. V	max. V	min. mA	max. mA	min. μ mho	max. μ mho			
TIS159	TO226A	40	1.0	1.0	3.1	5	30	1	4	4	300	Non protected Mosfets requiring special handling to prevent damage caused by static change
TIS160	TO226A	40	1.0	2.8	5.0	3	15	1	4	4	500	

N-Channel Mosfets (Depletion Mode)

Device type	Package	BVDGO min. V	IGSS max. pA	VGS(off)		IDSS		Yfs		Ciss max. pF	PDS(on) typ Ω	Notes
				min. V	max. V	min. mA	max. mA	min. mmho	max. mmho			
TIS163	TO226A	40	1.0	1.0	2.8	0.5	5.0	1.0	4.0	4	500	Non protected Mosfets requiring special handling to prevent damage caused by static change
TIS164	TO226A	40	1.0	2.5	4.5	3.0	15.0	1.0	4.0	4	300	

For Differential Amplifiers

Type No.	Case	Pol	BVDGO min BV	IGSS max. nA	Vp max. V	Yfs min. μ mho	Yos max. μ mho	Ciss max. pF	Yfs %	VGS (1-2) Matching mV
TIS88	2XTO92	N	25	2	2.5	1000	20	8	5	5
TIS89	2XTO92	N	25	2	2.5	1000	20	8	10	10
TI570	2XTO92	N	25	2	2.5	1000	20	8	20	15

High Voltage

Device Type	Case	Pol	VGSS min. V	IGSS max. nA	IDSS min. mA	IDSS max. mA	Vp max. V	Yfs min. μ mho	Yos max. μ mho	CISS max. pF	CRSS max. pF
A5T8449	Silect TO18	N	300	10	2	10	15	0.5	100	10	5
A5T8450	Silect TO18	N	200	10	2	10	15	0.5	100	10	5